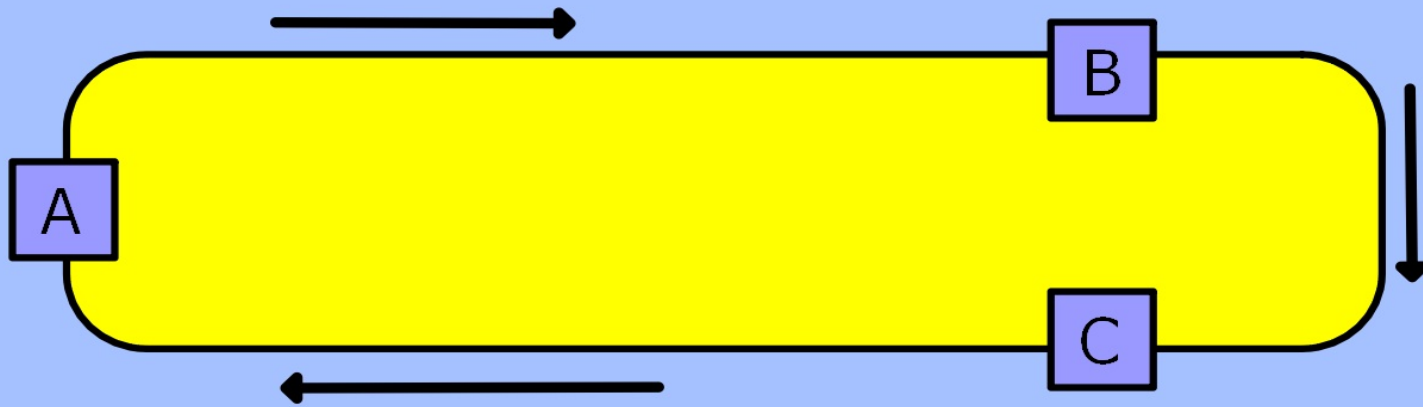


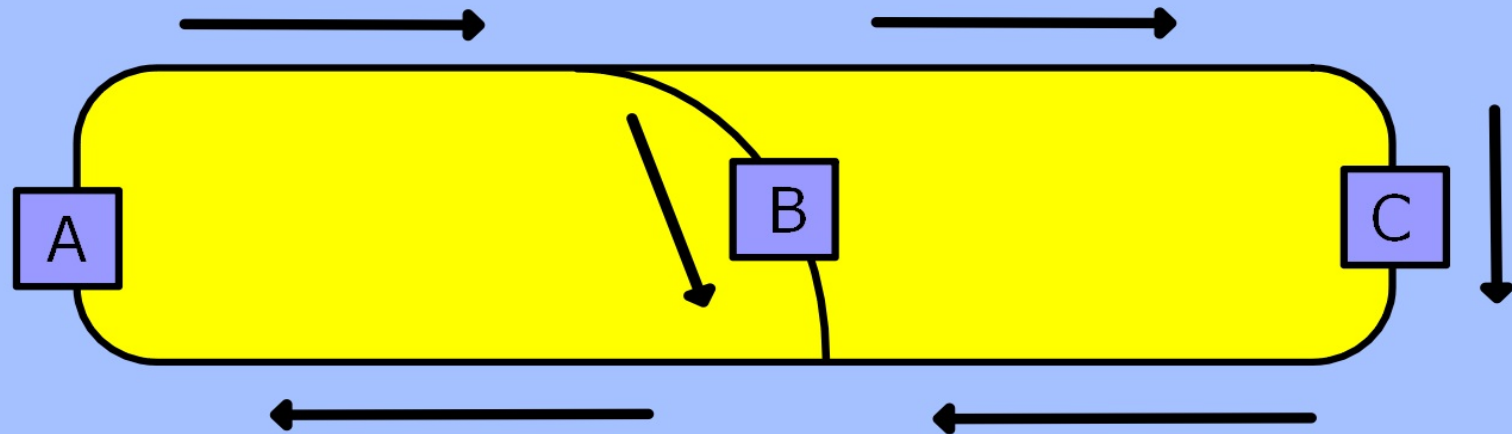
Series and Parallel Circuits

Focus Question: How are Series Circuits and Parallel Circuits different?

Circuits are like mazes...



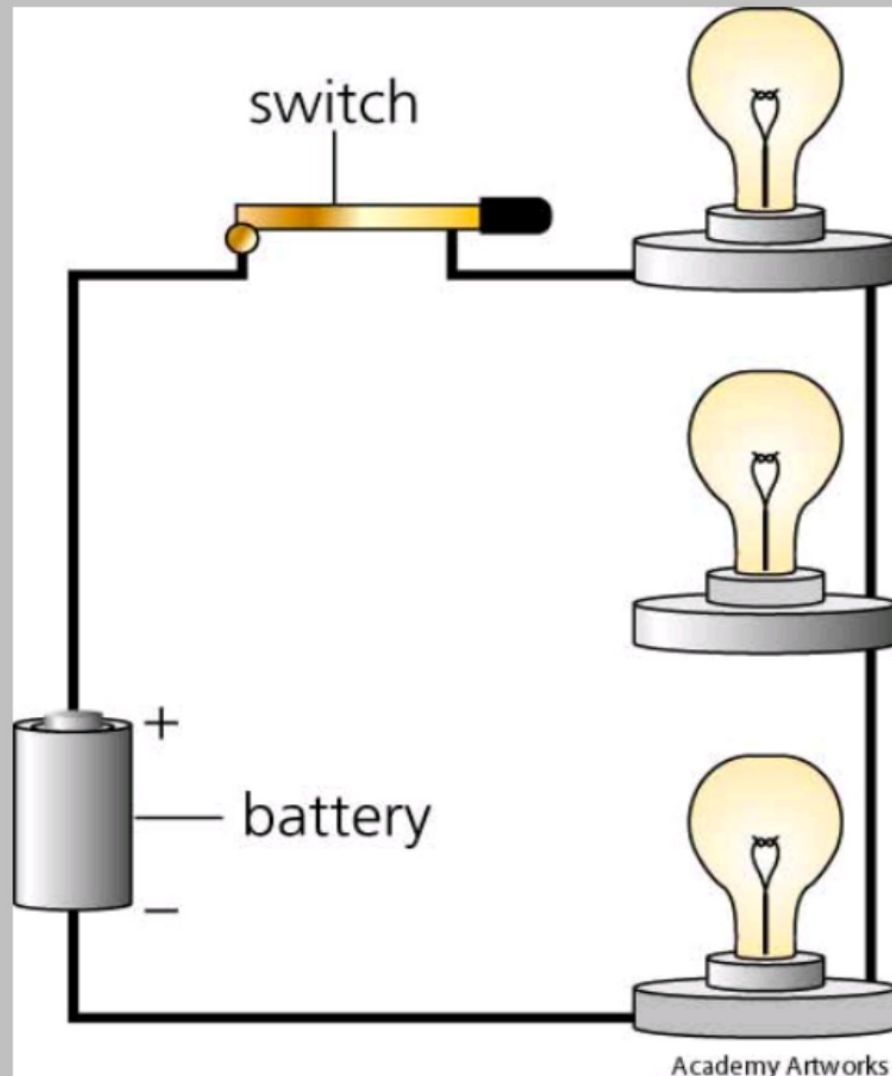
Series Circuit

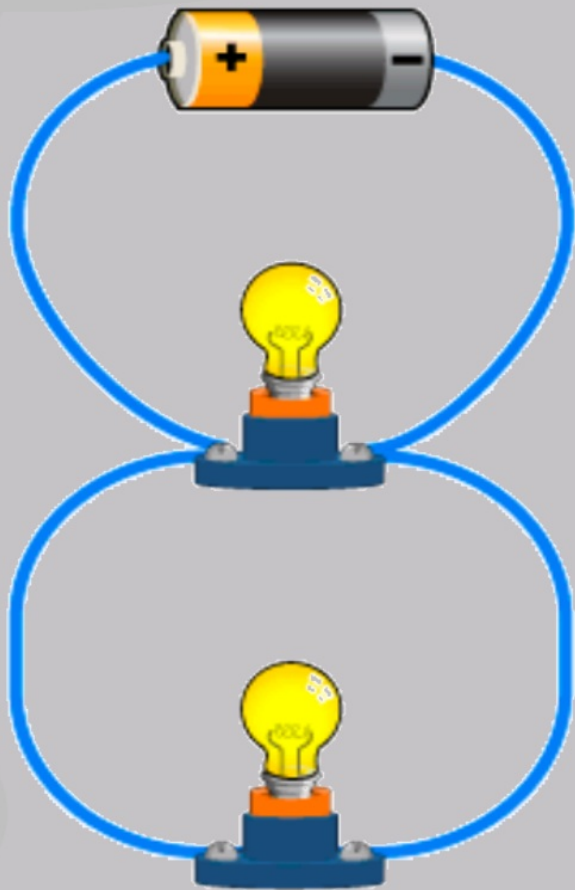


Parallel Circuit

Series Circuit:

- Only 1 path for the electrical current to follow
- If one of the bulbs is removed, the circuit will not work.
- Many Christmas tree lights are wired this way.



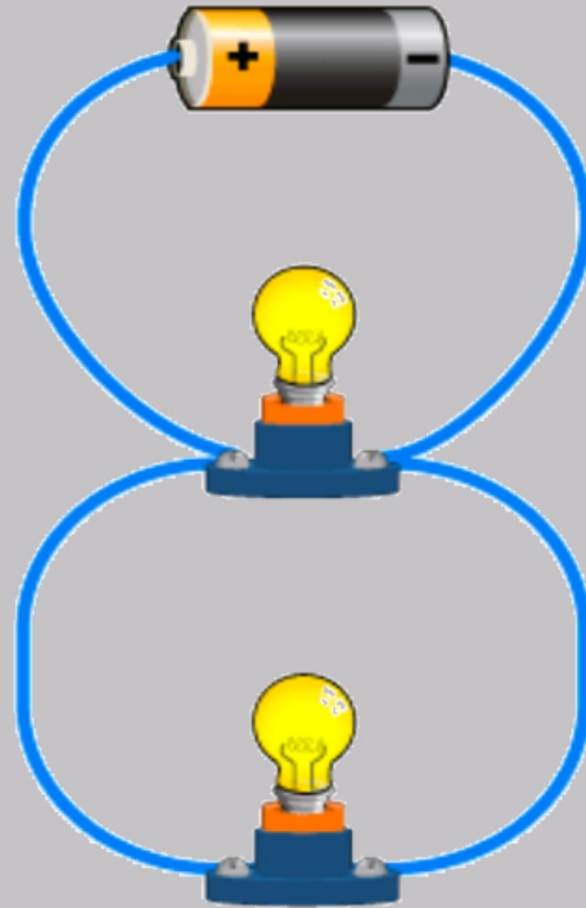


Parallel Circuits

- More than 1 path for the electrical current to follow
- If 1 bulb is removed the other bulb will still work

Parallel

Series



Electrical Safety at Home

Fuse



Circuit Breakers



